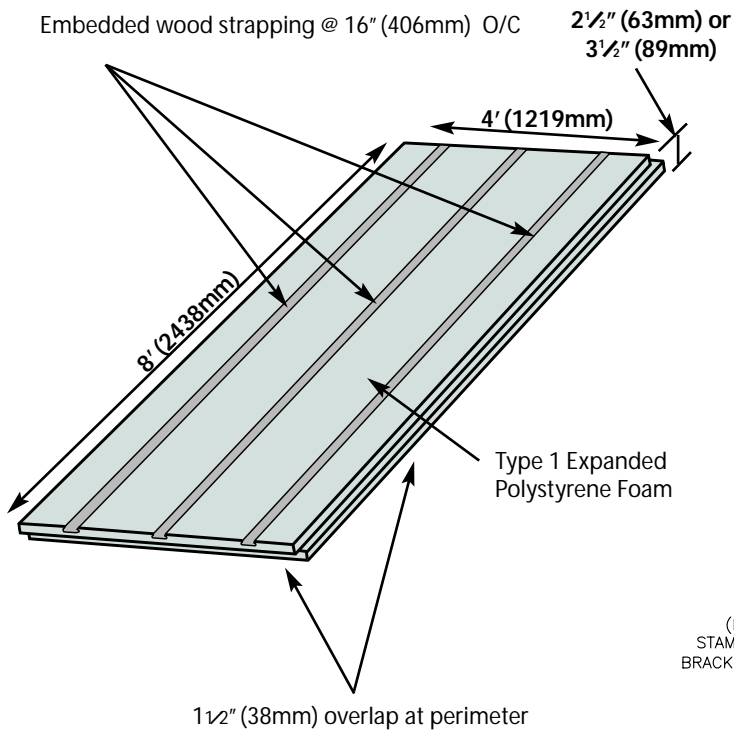
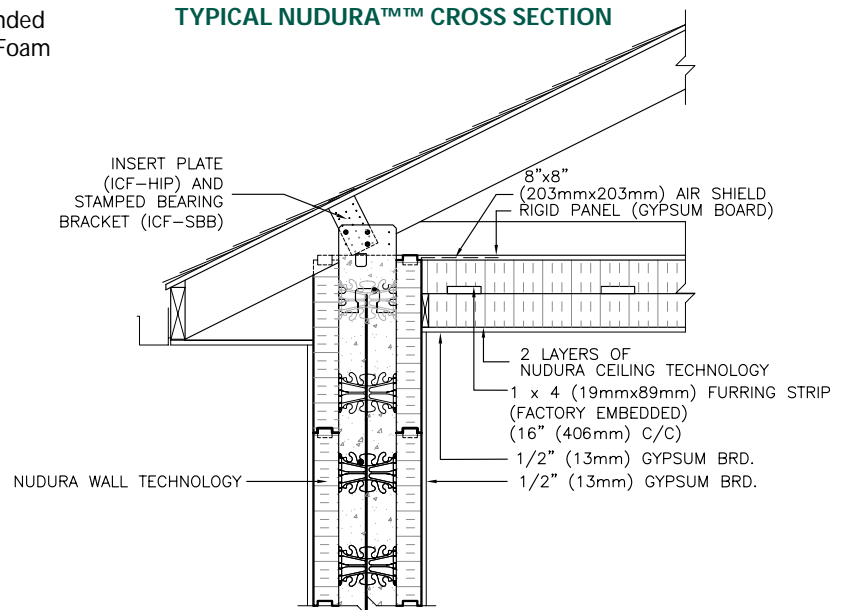


# CEILING TECHNOLOGY - Technical Bulletin

## PRODUCT FEATURES



## TYPICAL NUDURA™™ CROSS SECTION



## SUPERIOR PERFORMANCE

"NUDURA® Ceiling Technology is a high performance insulation system that reduces air infiltration and thermal bridging."

- Fast and easy mechanical attachment to trusses is provided by the embedded wood strapping
- The 1½" (38mm) perimeter overlap reduces air infiltration
- A vapor barrier is not required
- Contains no potentially harmful CFC's or HCFC's
- Safe Handling
- 100% recyclable
- A quick and economical insulation solution for retro-fitting uninsulated floors, walls and ceilings in homes, garages, cottages or commercial buildings

# CEILING TECHNOLOGY - Technical Bulletin

## TECHNICAL DATA

Physical Properties of molded EPS insulation	ASTM Test Method	ULC S701-97 Requirements (Type 1)	NUDURA® Ceiling Technology Type 1
Thermal Resistance (1" thick) hr.ft <sup>2</sup> .°F/BTU (m <sup>2</sup> .°K/w)	C-518	min.: 3.7 (min.: 0.65)	3.82 (0.67)
Water Vapor Permeability Perm. (ng/Pa.s.m <sup>2</sup> )	E-96	max.: 5.3 (max.: 300)	0.70 (40)
Dimensional Stability %	D-2126	max.: 1.5	1.0
Flexural Strength lbs/ft <sup>2</sup> (kPa)	C-203	min.: 25 (min.: 170)	80 (550)
Water Absorption %	D-2842	max.: 6.0	1.8
Compression Strength lbs/ft <sup>2</sup> (kPa)	D-1621	min.: 10 (min.: 70)	14 (97)
Oxygen Limit Indication %	D-2863	min.: 24	42

## INSTALLATION INSTRUCTIONS

- 1) Install one layer of gypsum board to the underside of the trusses, taping is not required. Alternative sheeting materials can be used to create the sandwich effect. Gypsum is recommended for the layer where adjacent space needs a thermal barrier as per local code requirements.
- 2) Install an air shield along the perimeter of the building at the wall and ceiling joint. The 6 mil poly barrier should cover a minimum of 8" (203mm) of the wall and 8" (203mm) of the ceiling board.
- 3) Install the first layer of NUDURA® Ceiling Technology perpendicular to the trusses using 5" (127mm) screws @ 24" (610mm) o/c.
- 4) Install 1" x 4" (19mm x 89mm) lumber along the perimeter of the building on the wall and under the first layer of NUDURA® Ceiling Technology. This will provide a nailing surface for the gypsum board.
- 5) Install the second layer of NUDURA® Ceiling Technology perpendicular to the first layer using 5" (127mm) screws at 16" (406mm) o/c.
- 6) Install gypsum board perpendicular to the embedded wood strapping using drywall screws as per local code requirements.

## PACKAGING AND ORDERING

• Available in 2 1/2" (63mm) and 3 1/2" (89mm) thicknesses.

• Packaging	Thickness	Pieces/Bundle
	2 1/2" (63mm)	7
	3 1/2" (89mm)	5